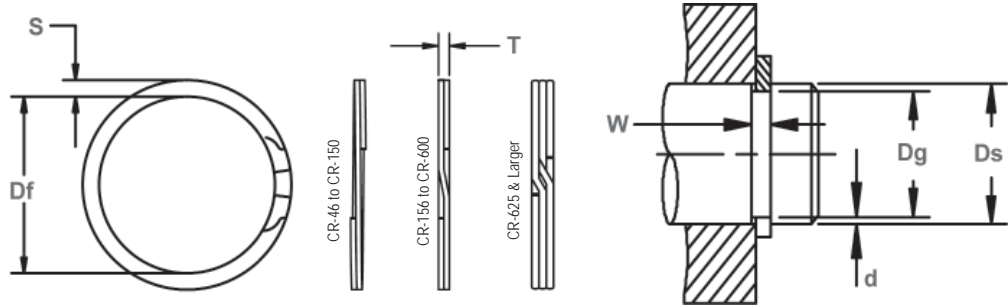


CR Spiral Shaft Rings

External, Medium-Heavy Duty

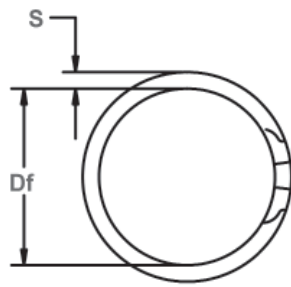
These 2-turn and multi-turn rings provide 360° groove contact and are designed for applications with medium-high thrust loads.



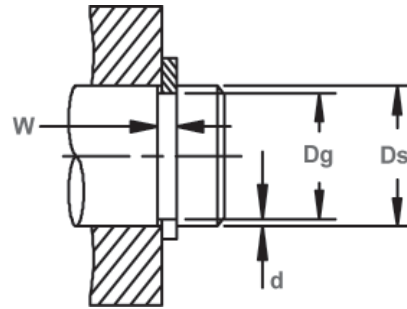
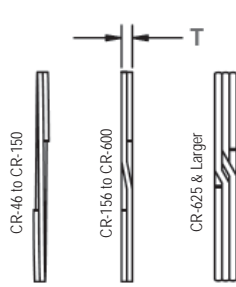
Free Diameter & Ring Measurements

Shaft Diameter & Groove Dimensions

RING NO.	SHAFT DIAMETER (In.)	GROOVE SIZE					RING SIZE				SECTION		THRUST LOAD (lbs.)		R.P.M. LIMITS Standard Material (Carbon Steel)
		DIAMETER		WIDTH		DEPTH	FREE DIAMETER			THICKNESS		RING Safety factor of 3	GROOVE Safety factor of 2		
		Dg	Tol.	W	Tol.	d	Df	Tol.	T	Tol.	S			Tol.	
CR-46	.469	.443	+.002	.029		.013	.436		.025		.045		1800	430	28820
CR-50	.500	.474	-.002	.039		.013	.469		.035		.045		2530	460	20780
CR-55	.551	.524		.039		.014	.518		.035		.045		2790	550	18130
CR-56	.562	.535		.039		.014	.529		.035		.045		2840	560	17270
CR-59	.594	.565		.039		.015	.559		.035		.045		3000	630	15200
CR-62	.625	.596		.039		.015	.590		.035		.055		3160	660	15700
CR-66	.669	.638		.039		.016	.630		.035		.055		3380	760	15600
CR-68	.688	.655	+.003	.046	+.003	.017	.648	+.000	.042		.065		4180	830	15600
CR-75	.750	.715	-.003	.046	-.000	.018	.708	-.013	.042		.065		4550	950	12750
CR-78	.781	.745		.046		.018	.738		.042		.065		4740	990	11590
CR-81	.812	.776		.046		.018	.768		.042	+.002	.065		4930	1030	11300
CR-87	.875	.835		.046		.020	.827		.042	-.002	.075		5310	1240	10660
CR-93	.938	.894		.046		.022	.886		.042		.075		5690	1460	9100
CR-98	.984	.940		.046		.022	.934		.042		.075		5970	1530	6980
CR-100	1.000	.955		.046		.023	.947		.042		.075		6070	1630	7800
CR-102	1.023	.977		.046		.023	.969		.042		.075		6210	1660	7400
CR-106	1.062	1.015		.056		.024	1.005		.050		.088	+.004	7010	1800	8660
CR-112	1.125	1.075		.056		.025	1.064		.050		.088	-.004	7420	1990	7960
CR-118	1.188	1.135	+.004	.056		.027	1.126		.050		.088		7370	2270	6320
CR-125	1.250	1.195	-.004	.056		.028	1.184	+.000	.050		.093		8250	2470	6500
CR-131	1.312	1.250		.056		.031	1.240	-.015	.050		.098		8660	2880	5800
CR-137	1.375	1.310		.056		.033	1.298		.050		.103		9070	3210	6000
CR-143	1.438	1.370		.056		.034	1.359		.050		.103		9490	3460	5160
CR-150	1.500	1.430		.056	+.004	.035	1.419		.050		.103		9900	3710	4670
CR-156	1.562	1.490		.068	-.000	.036	1.476		.062		.108		12780	3980	5160
CR-162	1.625	1.550		.068		.038	1.537		.062		.118		13290	4370	4690
CR-168	1.687	1.610		.068		.039	1.598		.062		.118		13800	4650	4110
CR-175	1.750	1.670	+.005	.068		.040	1.657	+.000	.062		.118		14320	4950	3930
CR-177	1.771	1.689	-.005	.068		.041	1.676	-.020	.062		.123		14490	5130	3960
CR-181	1.812	1.730		.068		.041	1.714		.062		.123		14820	5250	4170
CR-187	1.875	1.790		.068		.043	1.774		.062		.123		15340	5700	3850
CR-196	1.969	1.879		.068		.045	1.864		.062		.123		16110	6260	3320
CR-200	2.000	1.910		.068		.045	1.894		.062	+.003	.128		16360	6360	3410
CR-206	2.062	1.970		.086		.046	1.955		.078	-.003	.141		21220	6710	3340
CR-212	2.125	2.027		.086		.049	2.012		.078		.141		21870	7360	3120
CR-215	2.156	2.057		.086		.050	2.041		.078		.141		22190	7620	3120
CR-225	2.250	2.145		.086		.053	2.129		.078		.141		23160	8430	2820
CR-231	2.312	2.205	+.006	.086	+.005	.054	2.188	+.000	.078		.141		23800	8830	2730
CR-237	2.375	2.265	-.006	.086	-.000	.055	2.248	-.025	.078		.141		24440	9230	2560
CR-243	2.437	2.325		.086		.056	2.307		.078		.141		25080	9650	2480
CR-250	2.500	2.385		.086		.058	2.366		.078		.188		25730	10250	3040
CR-255	2.559	2.443		.086		.058	2.424		.078		.188	+.005	26340	10490	3430
CR-262	2.625	2.505		.086		.060	2.485		.078		.188	-.005	27020	11130	2780
CR-268	2.687	2.565		.086		.061	2.545		.078		.188		27660	11590	2630



Free Diameter & Ring Measurements



Shaft Diameter & Groove Dimensions

RING NO.	SHAFT DIAMETER (In.)	GROOVE SIZE					FREE DIAMETER		RING SIZE THICKNESS		SECTION		THRUST LOAD (lbs.)		R.P.M. LIMITS Standard Material (Carbon Steel)
		DIAMETER		WIDTH		DEPTH							RING Safety factor of 3	GROOVE Safety factor of 2	
		Ds	Dg	Tol.	W	Tol.	d	Df	Tol.	T	Tol.	S	Tol.		
CR-275	2.750	2.625		.103		.063	2.604		.093		.188		32140	12250	2560
CR-287	2.875	2.742		.103		.067	2.722		.093		.188		33600	13620	2260
CR-293	2.937	2.801		.103		.068	2.780		.093		.188		34320	14120	2200
CR-300	3.000	2.860		.103		.070	2.838		.093		.188		35060	14840	2150
CR-306	3.062	2.920		.103		.071	2.897	+ .000	.093		.188		35790	15370	2090
CR-312	3.125	2.980		.103		.073	2.957	- .030	.093		.188		36520	16130	1990
CR-315	3.156	3.010		.103		.073	2.986		.093		.188		36880	16290	1990
CR-325	3.250	3.100		.103		.075	3.075		.093		.188		37980	17230	1900
CR-334	3.344	3.190		.103		.077	3.164		.093		.188		39080	18200	1810
CR-343	3.437	3.280	+ .006	.103	+ .005	.079	3.254		.093	+ .003	.188	+ .005	40170	19190	1690
CR-350	3.500	3.340	- .006	.120	- .000	.080	3.315		.111	- .003	.250	- .005	48820	19790	2020
CR-354	3.543	3.381		.120		.081	3.356		.111		.250		49420	20290	1960
CR-362	3.625	3.458		.120		.084	3.433		.111		.250		50560	21520	1860
CR-368	3.687	3.517		.120		.085	3.490		.111		.250		51430	22150	1860
CR-375	3.750	3.577		.120		.087	3.550		.111		.250		52310	23060	1790
CR-387	3.875	3.696		.120		.090	3.670	+ .000	.111		.250		54050	24650	1620
CR-393	3.938	3.756		.120		.091	3.730	- .040	.111		.250		54930	25330	1560
CR-400	4.000	3.815		.120		.093	3.787		.111		.250		55800	26300	1560
CR-425	4.250	4.065		.120		.093	4.032		.111		.250		59280	27940	1350
CR-437	4.375	4.190		.120		.093	4.162		.111		.250		61030	28760	1250
CR-450	4.500	4.310		.120		.095	4.280		.111		.250		62770	30220	1210
CR-475	4.750	4.550		.120		.100	4.515		.111		.250		66260	33580	1160
CR-500	5.000	4.790		.120		.105	4.755		.111		.250		69740	37110	1020
CR-525	5.250	5.030		.139		.110	4.995		.127		.375		83790	40820	1280
CR-550	5.500	5.265	+ .007	.139	+ .006	.118	5.229	+ .000	.127	+ .004	.375		87780	45880	1170
CR-575	5.750	5.505	- .007	.139	- .000	.123	5.466	- .050	.127	- .004	.375		91770	49990	1100
CR-600	6.000	5.745		.139		.128	5.705		.127		.375		95760	54290	
CR-625	6.250	5.985		.174		.133	5.942		.165		.312		129590	58760	
CR-650	6.500	6.225		.174		.138	6.182	+ .000	.165		.312		134780	63410	
CR-675	6.750	6.465		.174		.143	6.420	- .060	.165		.312		139960	68230	
CR-700	7.000	6.705		.174		.148	6.658		.165		.312		145140	73230	
CR-725	7.250	6.942		.174		.154	6.894		.165		.312	+ .006	172190	78290	
CR-750	7.500	7.180		.209		.160	7.130		.189		.375	- .006	178130	84820	
CR-775	7.750	7.420	+ .008	.209	+ .008	.165	7.368		.189	+ .005	.375		184070	90390	
CR-800	8.000	7.660	- .008	.209	- .000	.170	7.607		.189	- .005	.375		190000	96130	
CR-825	8.250	7.900		.209		.175	7.845	+ .000	.189		.375		195940	102050	
CR-850	8.500	8.140		.209		.180	8.083	- .070	.189		.375		201880	108150	
CR-875	8.750	8.383		.209		.184	8.321		.189		.375		207820	113800	
CR-900	9.000	8.620		.209		.190	8.560		.189		.375		213750	120870	
CR-925	9.250	8.860		.209		.195	8.798		.189		.375		219690	127500	
CR-950	9.500	9.100		.209		.200	9.036		.189		.375		225630	134300	
CR-975	9.750	9.338		.209		.206	9.273		.189		.375		231570	141970	
CR-1000	10.000	9.575		.209		.213	9.508		.189		.375		237500	150560	

CONTACT FACTORY REGARDING MAX RPM LIMITS FOR LARGER DIAMETER RINGS